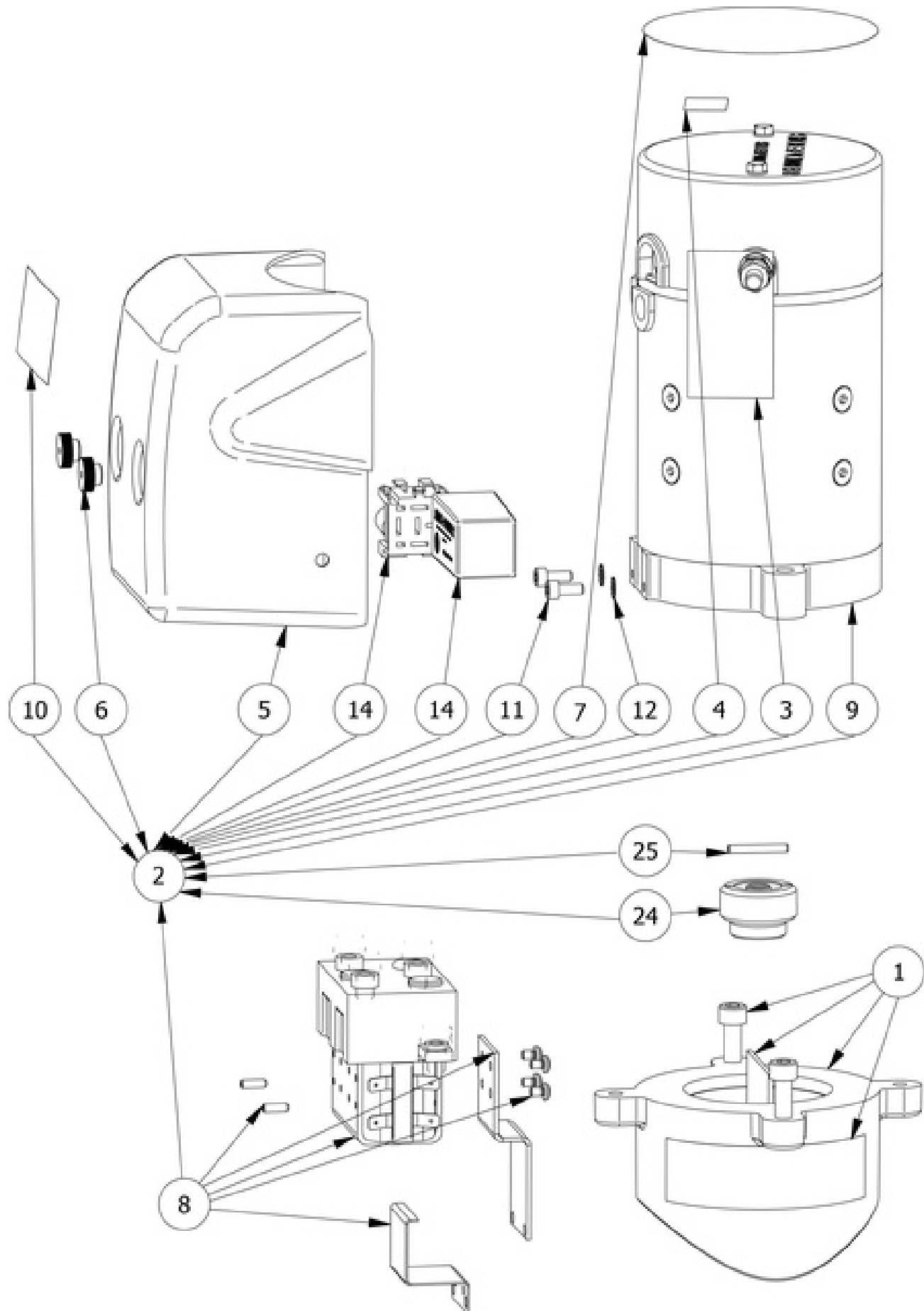
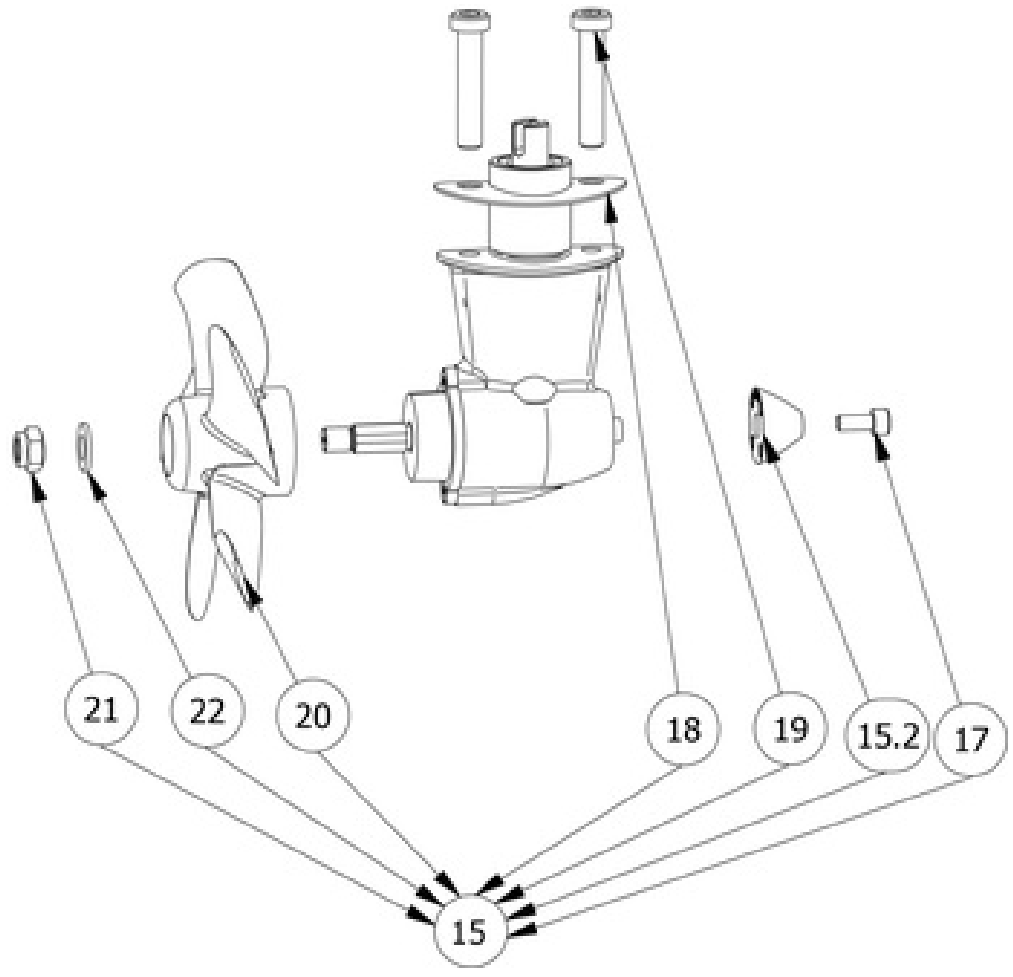


# SE40/125S2 - SE40 Tunnel bow/stern thruster, 12V



Spare parts (valid from 2021-01-05)





#	Description	Product
1	Complete engine bracket SE30 / 40	SM-126592 - Complete motor bracket SE30/40S2
2	Electric motor mounted SE40	3 0101 12 - Complete electric motor for thruster ert SE40SI
3	Label termination	7 8571 - Merkelapp warning label termin
4	Label	7 8572 - Merkelapp kontroll motor
5	Relay cover	3 2026 - Solenoid cover for SE40
6	Plastic nut	6 8807 - Nut for solenoid cover
7	Label	4 8574 - Merkelapp rund f/sidepower
8	Relay mounted SE40-12V	41472124 - Rele montert SE40-12V
9	Electric motor	3 1012 R - Elektromotor SE40 12V
10	Label SE40 / 125S2	SM-135492 - Etikett SE40/125S2
11	DIN 912 - M5 x 12	3 1172 - Bolt M5 x 12 Unbraco
12	DIN 6798 - A 5.3	6 1267 - Spring washer
13	Relay Clip	4 2043 - Fastening clip
14	Delay relay	6 1232 I - IPC relay 12/24V
15	Complete Gearbox	3 0601 - Complete gearleg SP30/40, prefilled and sealed
16	Gearbox SE30-40	311103 - Complete gearleg SE30/40
17	DIN 912 - M5 x 12	3 1172 - Bolt M5 x 12 Unbraco
18	Gasket	3 1172 - Bolt M5 x 12 Unbraco
19	DIN 6912 - M8 x 40	3 1080 - Bolt M8 x 40 Unbraco
20	Propeller Ø120	3 1080 - Bolt M8 x 40 Unbraco
21	DIN 985 - M8x1.25	3 1250 - Lock nut
22	DIN 125 - A 8.4	208125 - Washer DIN125A M8 A4 (SB)
23	Coupling Aim	SM-128472 - Kobling m/låsepinne
24	Coupling	SM-125918 - Flexible coupling SE20/30/40
25	ISO 8734 - 4 x 28 - A	112032 - Pinne 4 x 28

The installer alone has responsibility for the installation of the spare parts. Side-Power only warranty the spare parts supplied only.

The information given in the document was correct at the time it was published. However, Sleipner Motor AS can not accept liability for any inaccuracies or omissions it may contain. Continuous product improvement may change the product specifications without notice. Therefore, Sleipner Motor AS can not accept liability for any possible differences between product and document.